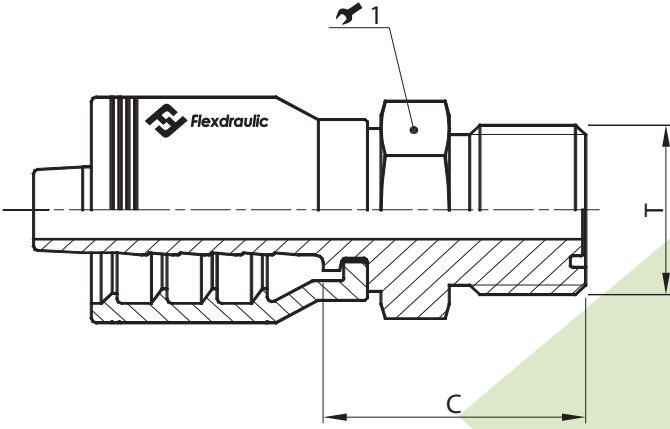


ORFS Male Rigid



! O-Rings Available Separately
 (See O-ring table on this page)

Part #	Hose I.D.		Face Seal (T)		Cutoff (C)	Wrench	
	Inch	Size	Size	Thread	Inch	1 (Inch) ↗ 1 (mm)	
J08-E68	1/2"	-08	08	1 3/16" - 16	1.20"	7/8"	22
J12-E72	3/4"	-12	12	1 3/16" - 12	1.54"	1 1/4"	32
J16-E76	1"	-16	16	1 7/16" - 12	1.65"	1 5/8"	41
J20-E80	1 1/4"	-20	20	1 11/16" - 12	1.79"	1 13/16"	46



O-Rings For Face Seal Crimp Fittings	
For Face Seal (T) Size	Part #
08	3001490
12	3001890
16	3002190
20	3002590

One Piece Bite The Wire